

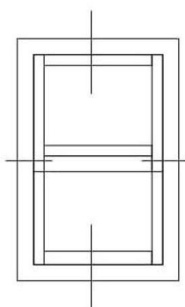
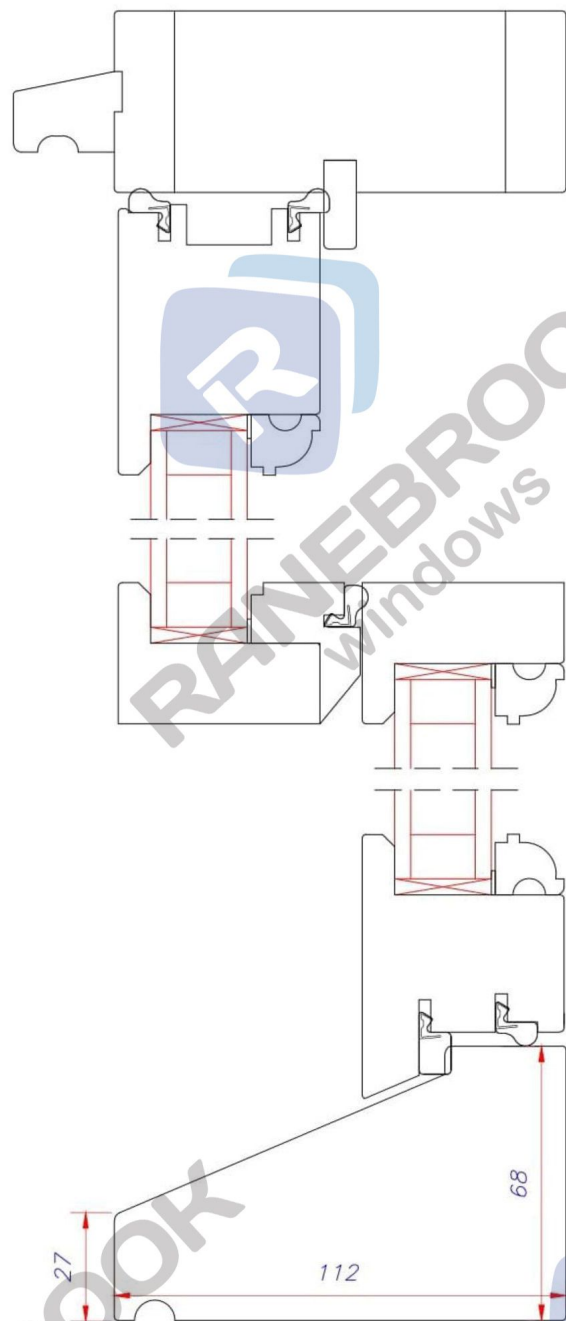
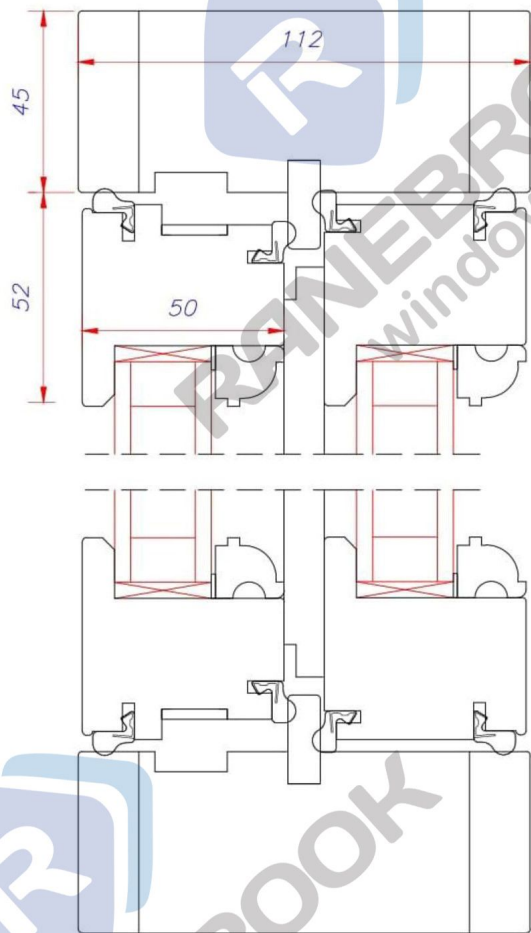


RANEBROOK
windows



Technical Drawing

Mock Sash Window



TITLE:
**MOCK SASH TRADITIONAL FLUSH 50/45
 WITH OGEE BEADINGS**



Scale: DO NOT SCALE PRINT

NOTES:
 Unless otherwise specified,
 dimensions are in millimetres.
 Unmarked tolerances: 0.=±0.5
 0.0=±0.25 0.00=±0.1

IF IN DOUBT, ASK

DRAWING NO:	ENQUIRY NO:	DRAWING BY	CHECKED	REVISION	DATE
	N/A				

e: info@ranebrook.co.uk

t/f: 01322 332237

web: www.ranebrook.co.uk

83 High Street
 Chesham
 Buckinghamshire
 HP5 1DE

This drawing is the property of RANE BROOK WINDOWS LTD and must not be copied in whole or in part without written permission. No manufacturing rights are held by any party without the prior consent of RANE BROOK WINDOWS LTD. Possession of any drawings does not constitute an order to manufacture.